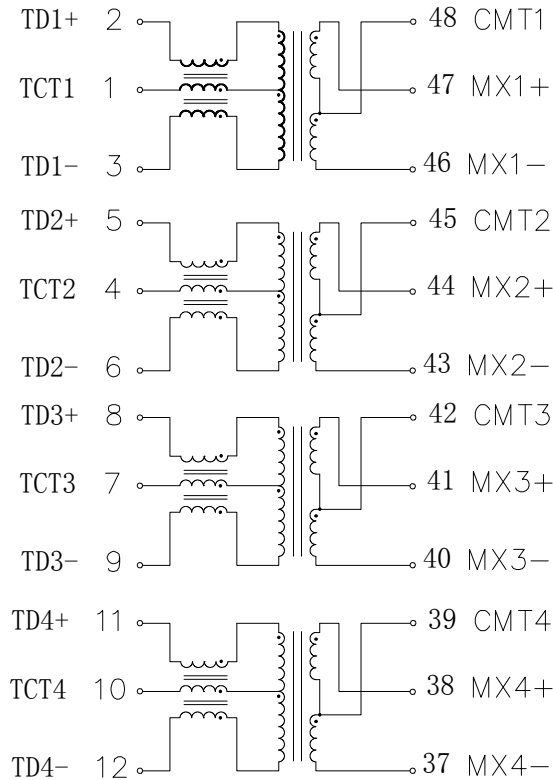


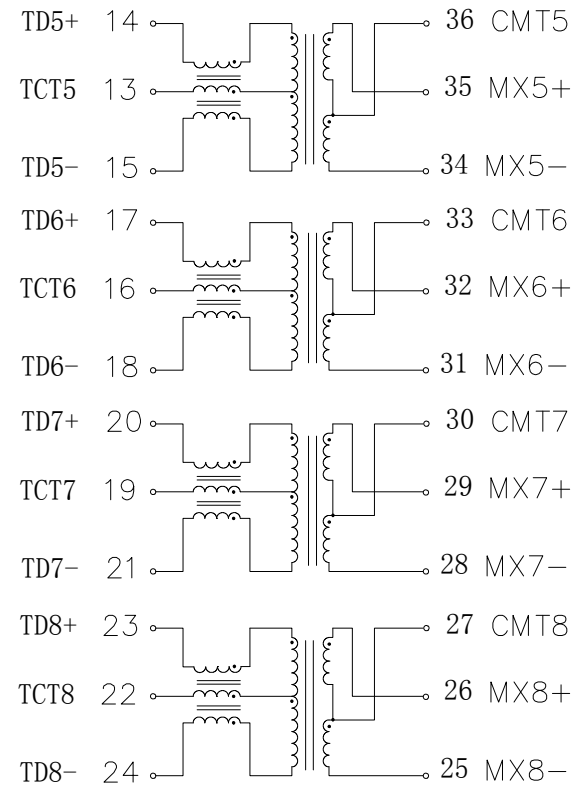
Schematic:

REV.	ECN NO.	DESCRIPTION	DATE	APPD
A	REL		31/10/2007	

Port 1



Port 2



Electrical Specifications @25°C

1. Turns Ratio:

TX=1:1 RX=1:1

2. OCL: 350uH MIN

@100KHz, 100mV, 8mADC Bias

3. Insertion Loss (dB MAX):

0.1MHz:-1.1 100MHz:-1.0
125MHz:-2.0

4. Return Loss (dB MIN):

30MHz:-18 60MHz:-12
80MHz:-12 100MHz:-10

5. Crosstalk (dB MIN):

30MHz:-43 60MHz:-37
100MHz:-33

6. Hipot (Vrms MIN): 1500

7. POE Application With 600mA Current Capability

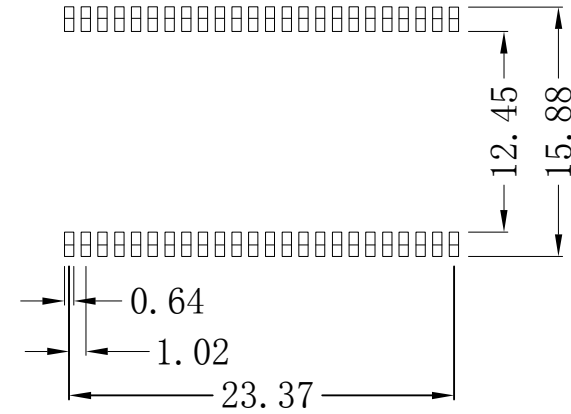
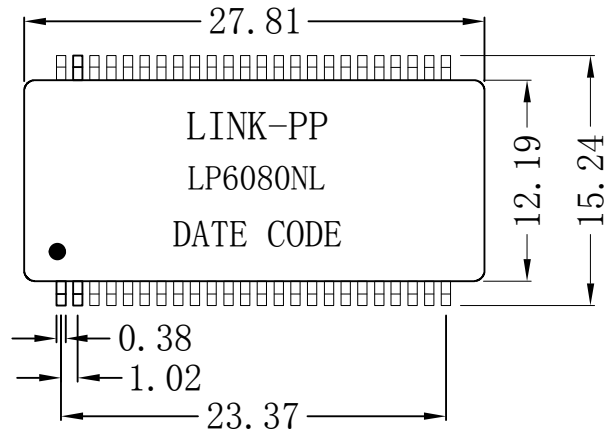
8. Operating Temperature: -40°C ~ +85°C.



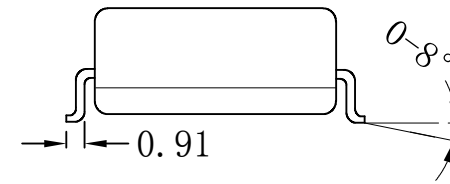
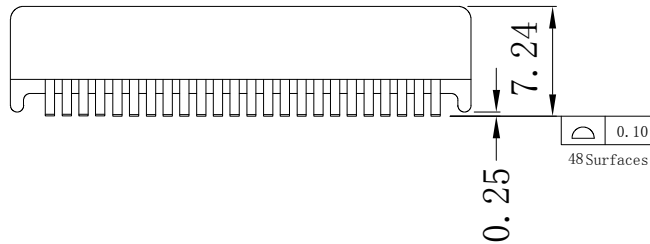
X:X	± 0.20	APPD:	LINK-PP INT'L TECHNOLOGY CO., LIMITED	
X:XX	± 0.10	CHKD:	TITLE: 1000 Base-T Magnetic Modules For PoE+ Application	
X:XXX	± 0.05	DR: TOM	PART NO.: LP6080NL	
ANGLES	± 1°	UNIT: mm		
	SCALE: 2/1	SHEET: 1/2	REV: A	DWG NO. LP12080922

Mechanical:

REV.	ECN NO.	DESCRIPTION	DATE	APPD
A	REL		31/10/2007	



SUGGESTED PAD LAYOUT



NOTES:

1. Gigabit Transformer Modules With PoE+ compliance
2. Meets IEEE 802.3 specification
3. For RoHS part add suffix NL.
4. RoHS "NL" peak solder rating 260°C ± 5°C.



X:X	± 0.20	APPD:	LINK-PP INT'L TECHNOLOGY CO., LIMITED
X:XX	± 0.10	CHKD:	
X:XXX	± 0.05	DR: TOM	TITLE: 1000 Base-T Magnetic Modules For PoE+ Application
ANGLES	± 1°	UNIT: mm	PART NO.: LP6080NL
	SCALE: 2/1	SHEET: 2/2	REV: A DWG NO. LP12080922

Sales Department A-B2

Sales Engineer / Summer Ming - 明夏

Tel: 0086-752-3322915 Mob: 0086-180-2668-6530

Fax: 0086-752-3161926

E-mail: Summer@link-pp.com

www.link-pp.com

LINK- PP INT'L TECHNOLOGY CO., LIMITED

Jia An Industrial Park, Chenjiang Rd, Zhongkai Hightech Zone, Huizhou City,
516003, China



LINK- PP INT'L TECHNOLOGY CO., LIMITED

Seris : LPJXXXXXXXX / LPXXXXXXXX / LPAXXXXXXX